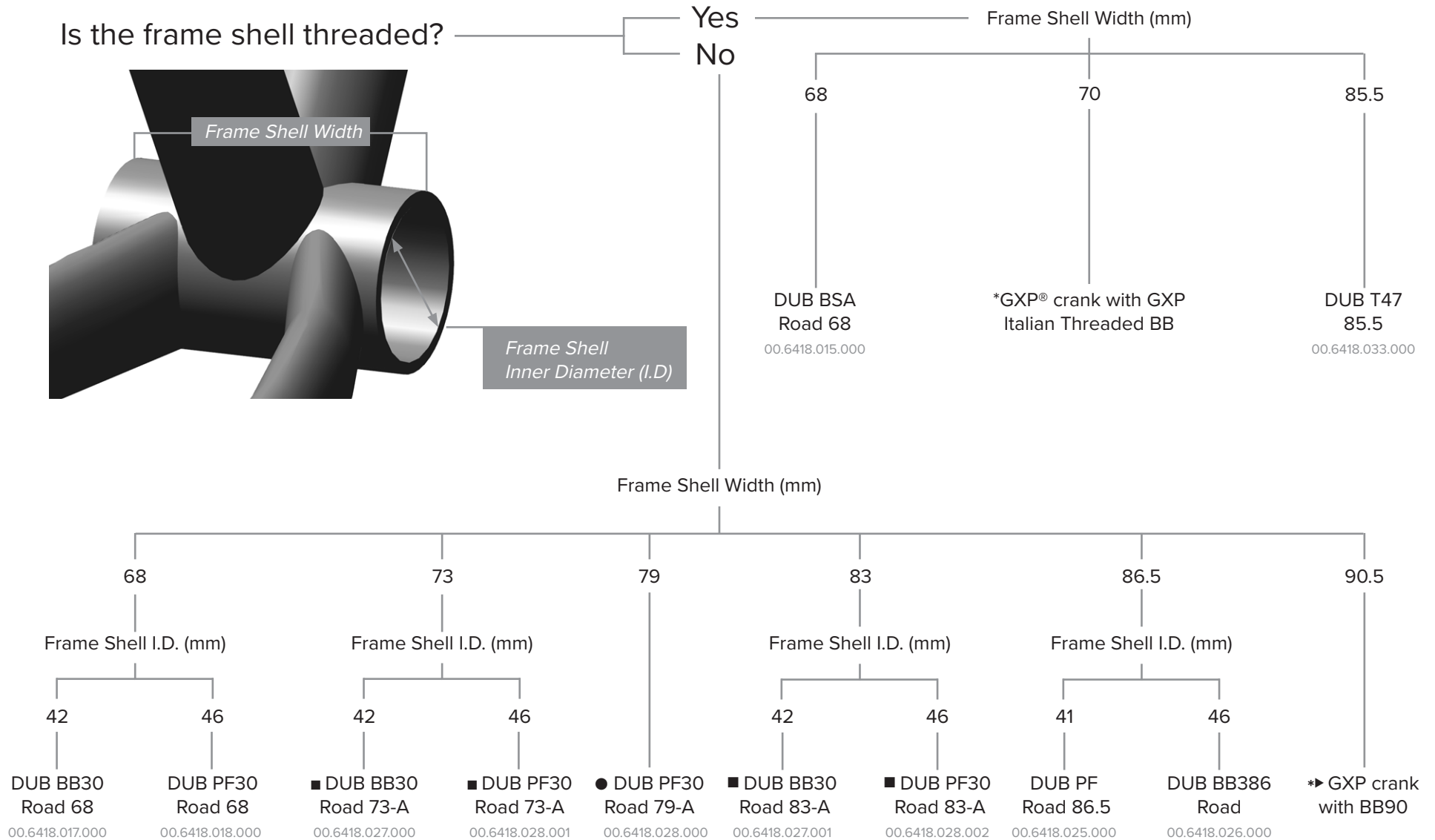


# DUB™: Choose a Road Bottom Bracket

Follow the chart to determine which bottom bracket works with your frame.



\* No DUB option available for this BB. Please use the option shown.

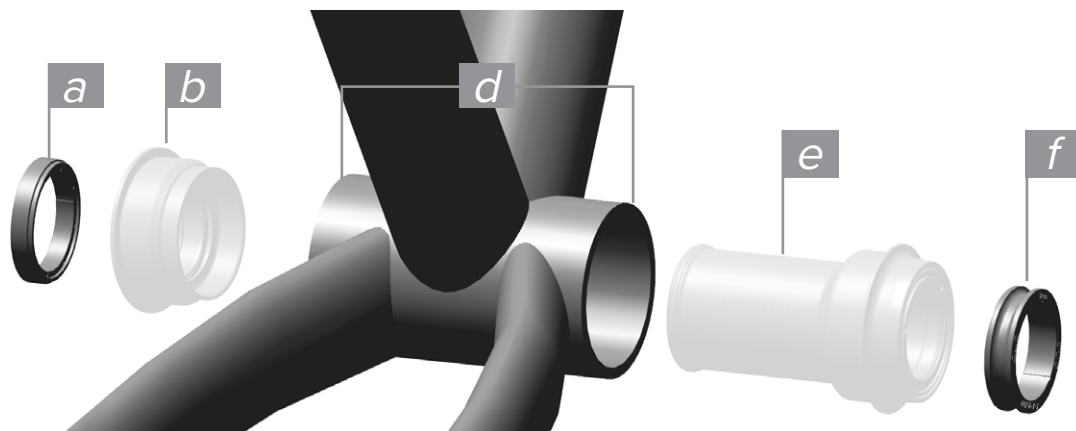
■ Cannondale only

● Cervelo only; BBRight

► Trek only. Contact Trek for BB.



# DUB™ Crankset Bottom Bracket Spacers



- a. Outer left, non-drive side spacer
- b. Left side cup
- c. Frame shell width
- d. Right side cup and center tube
- e. Outer right, drive side spacer

	Frame Shell Width (mm)	Outer Left Spacer (mm)	Outer Right Spacer (mm)
<b>DUB BB30</b>	68	-	3
	73-A	-	3
	83-A	-	4.5
<b>DUB PressFit 30</b>	68	-	3
	73-A	-	3
	79-A	-	3
	83-A	6	9
<b>DUB PressFit</b>	86.5	-	3
<b>DUB BB386</b>	86.5	-	2
<b>DUB BSA</b>	68	-	3
<b>DUB T47</b>	85.5	-	3